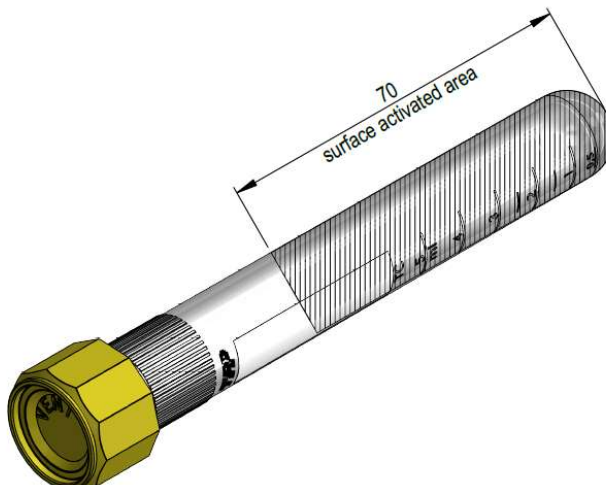




## TechDoc for TPP Tissue Culture Tube 20 cm<sup>2</sup>

TPP tissue culture tubes are intended for are for the cell/tissue cultivation and growth, in manual use. For an optimal cell adhesion and proliferation, the growth area is opto-mechanically activated from the tip 70 mm, this results in a growth area of approx. 20 cm<sup>2</sup>. Use the tubes for example on tube roller incubator or similar equipment intended for cell culture of adhesive cells in rolling motion.



TPP tissue culture tubes 20 cm<sup>2</sup> are available with VENT screw caps.

- For gas exchange, screw the VENT screw cap tight until you hear/feel it clicks into the venting position.
- To interrupt the gas exchange, turn the cap a 1/4 turn clockwise over the venting position. The tube is now tightly close there is no gas exchange.
- For a transfer of the tube within in the laboratory, TPP recommends to close the VENT screw cap tightly.
- The graduation serves as a reference for filling quantity and is not an absolute value.

### Technical Data:

#### Materials

|           |                         |
|-----------|-------------------------|
| Tube      | PS                      |
| Screw cap | PE                      |
| Membrane  | PTFE, pore size 0.22 µm |

| Measurement                 | 91106       |
|-----------------------------|-------------|
| Length mm                   | 105         |
| Diameter mm                 | 30          |
| Treatment length mm         | 70 from tip |
| Growth area cm <sup>2</sup> | ~20         |
| Recom. volume mL            | 1-3         |
| Max. volume mL              | 13          |
| x g max                     | 1'200       |
| Form                        | round       |
| Screw cap                   | VENT        |

Source: TPP/literature

1 / 2

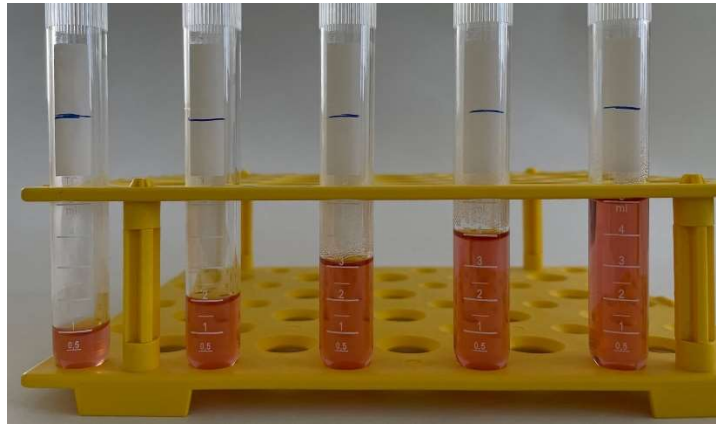
Version 03\_2022

Note: TPP products are for research use only and not intended for use in clinical, diagnostic or therapeutic procedures. TPP does not assume any guarantee for damages and defects resulting from unregistered or improper use.

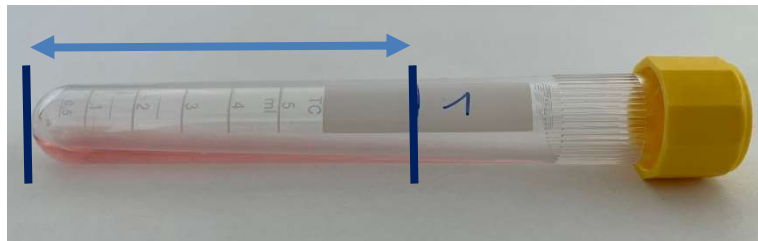
TPP recommendations are guidelines and do not represent an absolute value. TPP accepts no responsibility for the topicality, accuracy, completeness or quality of this TechDoc.



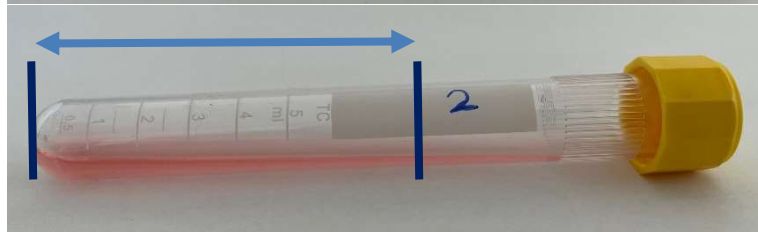
## Filling Volume Examples



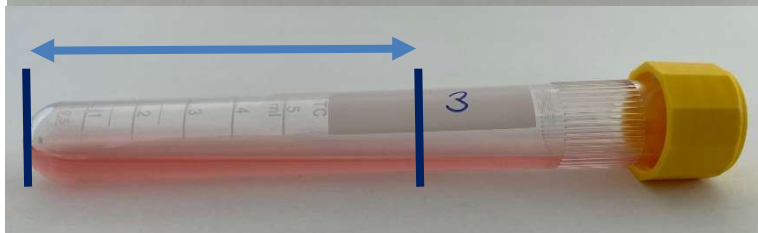
1 ml



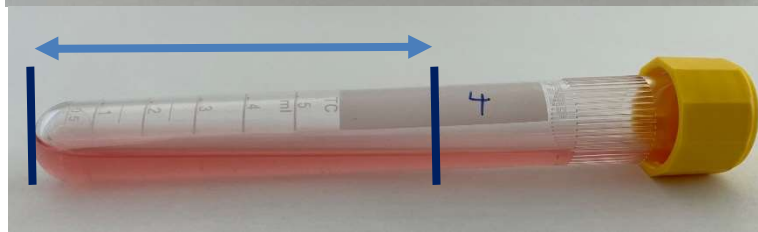
2 ml



3 ml



4 ml



5 ml

